




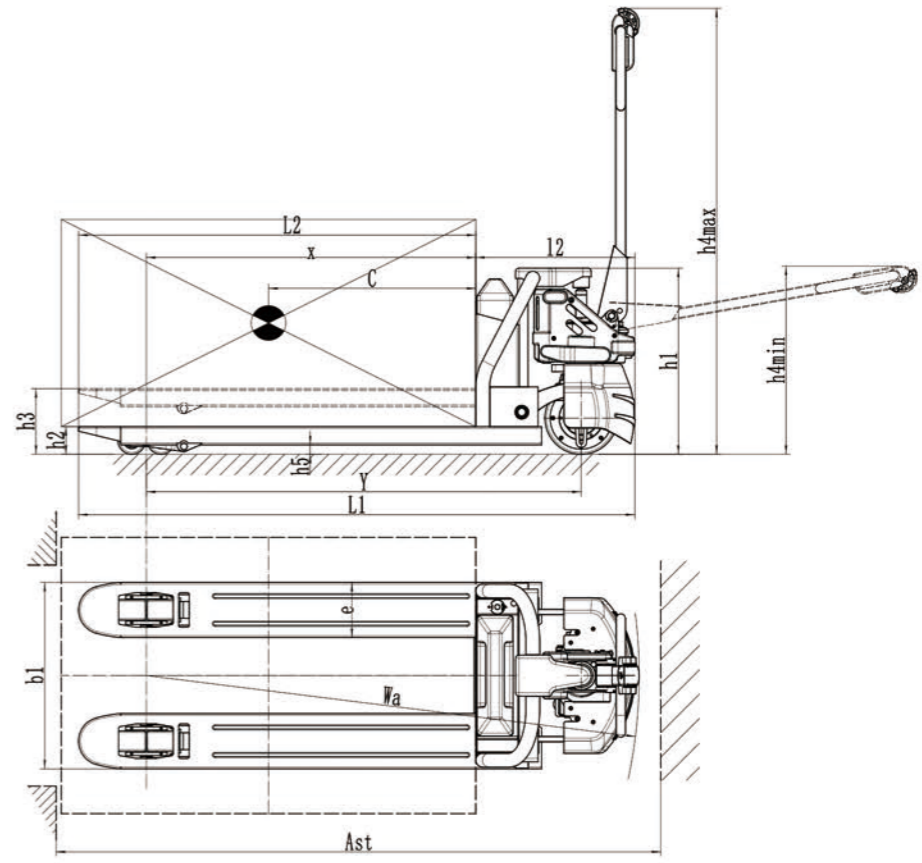
- **Handle**  
Ergonomics Designed  
Smart and Comfortable  
Upright Walking for VNA application  
Turtle Speed Mode
- **Drive Unit**  
UK brand PG programmable controller  
High Quality Motor  
Reliable Driving Wheel

- **Portable Li-Ion Battery**  
1 year warranty  
2000+charging cycles with at least 80% residual capacity
- **Key Switch**  
Integral design of Key Switch and Emergency Stop
- **Quick Charger**  
2 hours (Option) 



- Walkie Electric Pallet Truck
  - High Performance Lithium Battery
  - Compact and Maneuverable
  - Power Driving +Power Lifting
  - Manual Lowering

1	Manufacturer		Eoslift USA Corporation
2	Model		W15E
3	Operator type		Walkie
4	Load Capacity	Q	4400 lbs.
5	Load Center	C	600mm (23.6")
6	Wheelbase	Y	1258.5mm/1328.5mm (49.5"/52.3")
7	Service Weight		140/146kg (308/321lbs)
8	Overall Height	H1	1291.7mm (51.2")
9	Fork Height (Lowered)	H2	80mm (3.2")
10	Lift Height	H3	200mm (8")
11	Handle Height	H4	536mm-1292mm (21"-50.8")
12	Overall length	L1	1626.5mm/1696.5mm (64"/66.8")
13	Overall Width	B	540mm/680mm (21.2"/26.8")
14	Fork Size	L2	540x1150mm/680x1220mm (21"x45"/27"x48")
15	Travel Motor		0.90kw
16	Travel Speed (laden/unladen)		4/4.5kmh (2.5/2.8mph)
17	Lift Motor		0.5kw
18	Max. Gradeability (laden/unladen)	%	5%/20%
19	Battery Voltage/Capacity V/Ah	V/Ah	24V/40Ah Li-Ion
20	Turning Radius	R	1430.25mm/1500.25mm (56.3"/59")



If there are improvements of technical parameters or configurations, no further notice will be given. The diagram shown may contain non-standard configurations